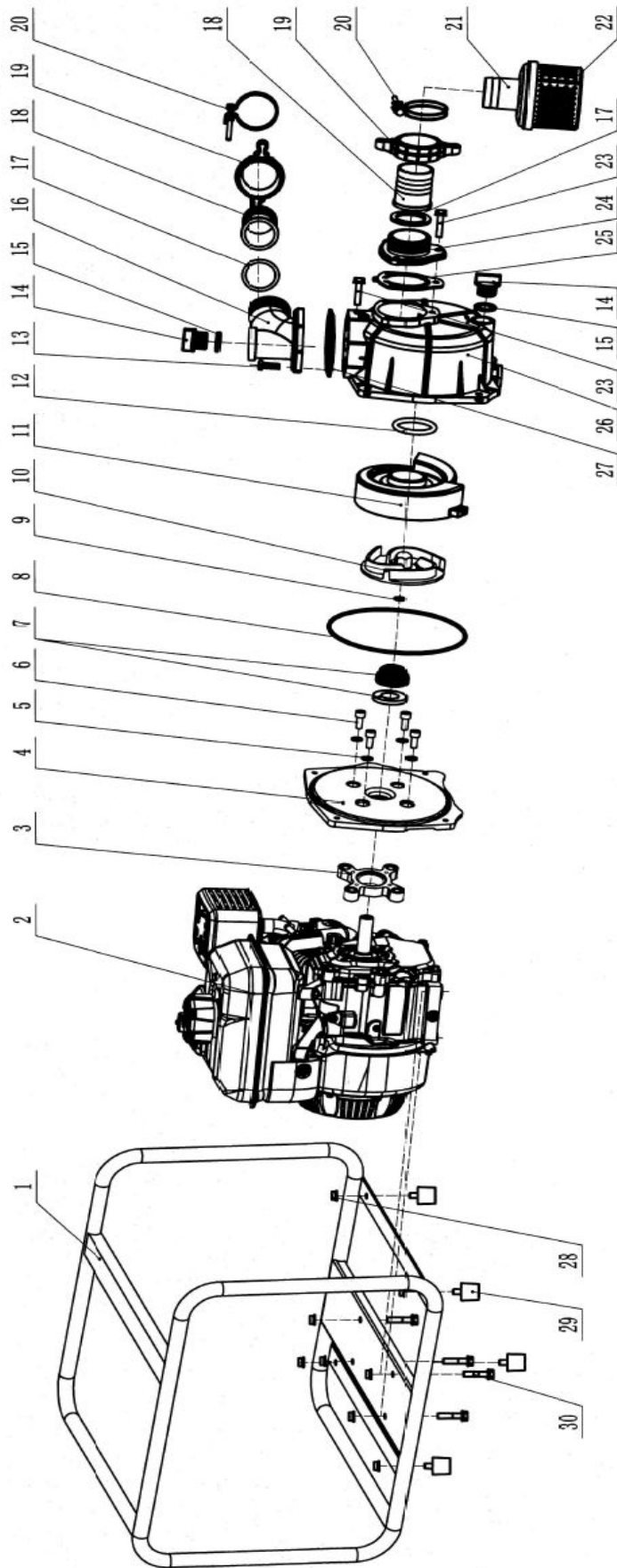


PRONTO	PART NUMBER	USE	DESCRIPTION	LIST
804623	BIA-WP20ABS-1		FRAME	120.00
	BIA-WP20ABS-2		ENGINE	POA
804641	BIA-WP20ABS-3		CONNECTOR	11.00
804643	BIA-WP20ABS-4		PUMP BODY	86.00
804644	BIA-WP20ABS-5		WASHER	0.00
804645	BIA-WP20ABS-6		SOCKET SCREW	3.00
804800	<del>804546</del> BIA-WP20ABS-7	USE BIA-HP15ABS-11	MECHANICAL SEAL	36.00
804646	BIA-WP20ABS-8		O RING	2.00
804647	BIA-WP20ABS-9		WASHER	1.00
804624	BIA-WP20ABS-10		IMPELLER	86.00
804625	BIA-WP20ABS-11		DIFFUSER	114.00
804626	BIA-WP20ABS-12		SEAL RING	1.00
804627	BIA-WP20ABS-13		HEX BOLT M8X25	1.00
804628	BIA-WP20ABS-14		PLUG	1.00
804629	BIA-WP20ABS-15		O RING 25X4.2	0.00
804630	BIA-WP20ABS-16		OUTLET	65.00
804631	BIA-WP20ABS-17		GASKET	1.00
804632	BIA-WP20ABS-18		PIPE	3.00
804633	BIA-WP20ABS-19		SPANNER	6.00
804634	BIA-WP20ABS-20		CLAMP	12.00
804635	BIA-WP20ABS-21		STRAINER	1.00
804636	BIA-WP20ABS-22		STRAINER FITTING	1.00
804588	BIA-WP20ABS-23	USE BIA-WP10-30	HEX BOLT M8X20	2.00
804637	BIA-WP20ABS-24		INLET	65.00
804638	BIA-WP20ABS-25		NON RETURN VALVE	3.00
804639	BIA-WP20ABS-26		PUMP BODY	185.00
804640	BIA-WP20ABS-27		OUTLET SEAL	1.00
804601	BIA-WP20ABS-28	USE BIA-WP15A-1	HEX NUT M8	1.00
804594	BIA-WP20ABS-29	USE BIA-WP10-36	RUBBER FEET	5.00
804642	BIA-WP20ABS-30		HEX BOLT M8X35	2.00
<b>SPARE PARTS TO SUIT 804450 BIA-WP20ABS</b>				



SPARE PARTS TO SUIT 804450 BIA-WP20ABS